



OpenShift BareMetal IPI

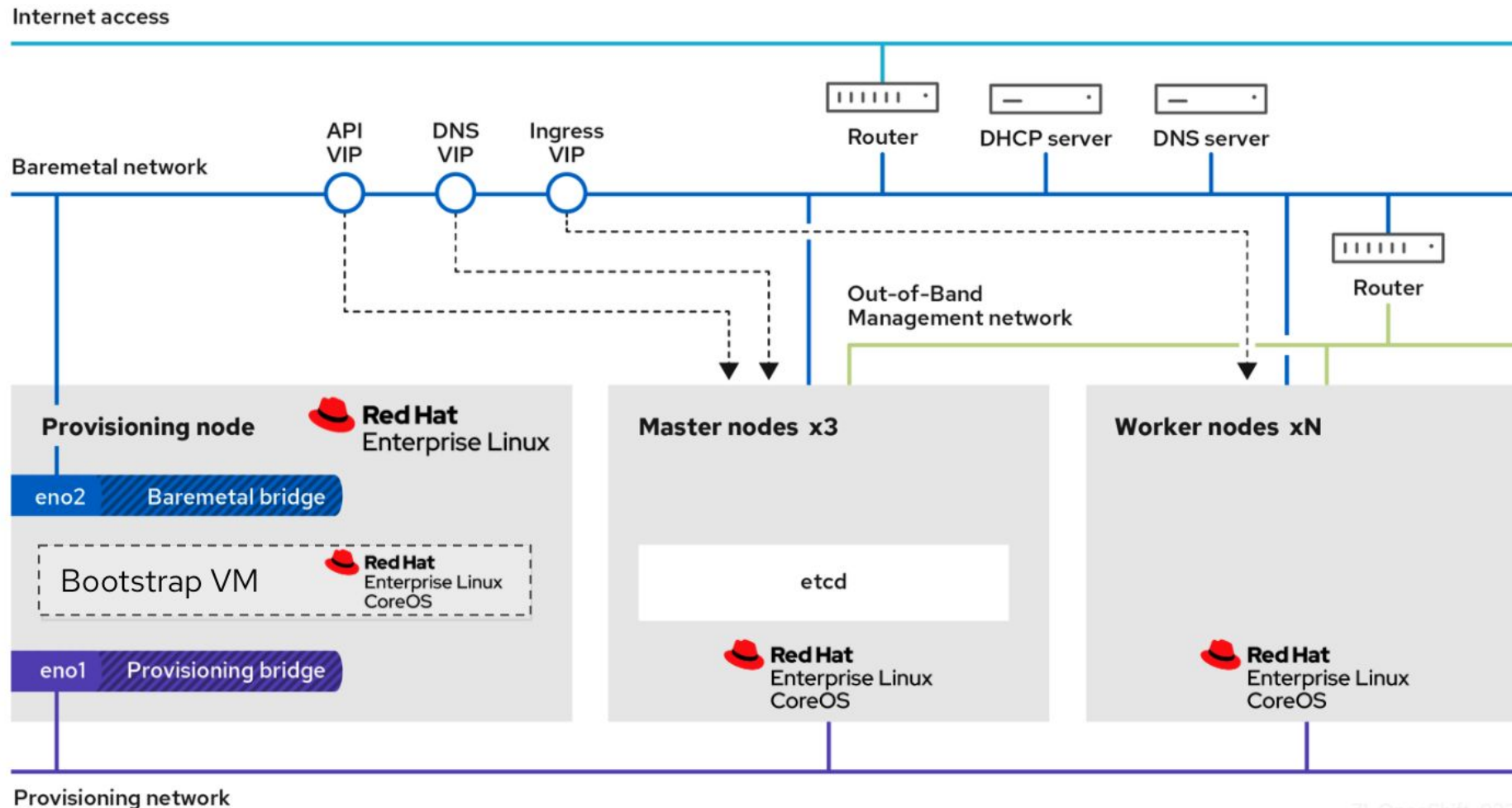
Benjamin Schmaus
Field Product Manager
bschmaus@redhat.com



What a Field Product Manager Does:

- Field Product Manager:
 - Engagements with customers
 - Early Access Programs
 - High Touch
 - Tactical
- OpenShift Topics Include:
 - Containerized virtualization
 - Red Hat Advanced Cluster Manager
 - Everything Else
 - Tacticals
 - Roadmaps

BareMetal IPI Architecture



71_OpenShift_0320

Baremetal IPI installation of OpenShift Container Platform requires:

- One provisioner node with Red Hat Enterprise Linux (RHEL) 8.x installed
 - Can be converted to worker after cluster deployed
- Three control plane nodes -or- three control plane and two worker nodes
- Baseboard Management Controller (BMC) access to each node
- At least one network:
 - One **required** routable network
 - One **optional** network for provisioning nodes
 - One **optional** management network.

BareMetal IPI DNS Configuration

Usage	Host Name	IP
API	<i>api.<cluster-name>.<domain></i>	<i><ip></i>
Ingress LB (apps)	<i>*.apps.<cluster-name>.<domain></i>	<i><ip></i>
Provisioner node	<i>provisioner.<cluster-name>.<domain></i>	<i><ip></i>
Master-0	<i>openshift-master-0.<cluster-name>.<domain></i>	<i><ip></i>
Master-1	<i>openshift-master-1.<cluster-name>.<domain></i>	<i><ip></i>
Master-2	<i>openshift-master-2.<cluster-name>.<domain></i>	<i><ip></i>
Worker-0	<i>openshift-worker-0.<cluster-name>.<domain></i>	<i><ip></i>
Worker-1	<i>openshift-worker-1.<cluster-name>.<domain></i>	<i><ip></i>
Worker-n	<i>openshift-worker-n.<cluster-name>.<domain></i>	<i><ip></i>

Install Config YAML

```
File Edit View Search Terminal Tabs Help
bschmaus@bschmaus:~
lab-user@provision:~/scripts
bschmaus@agnosticd2:~/agnosticd2/ansible/configs/kni-osp
bschmaus@agnosticd2:~/agnosticd2/ansible/configs/kni-osp

bootMACAddress: de:ad:be:ef:00:42
bootMode: legacy
hardwareProfile: openstack
- name: worker-0
  role: worker
  bmc:
    address: ipmi://10.20.0.3:6201
    username: admin
    password: redhat
  bootMACAddress: de:ad:be:ef:00:50
  bootMode: legacy
  hardwareProfile: openstack
- name: worker-1
  role: worker
  bmc:
    address: ipmi://10.20.0.3:6205
    username: admin
    password: redhat
  bootMACAddress: de:ad:be:ef:00:51
  bootMode: legacy
  hardwareProfile: openstack

sshKey: 'ssh-rsa AAAAB3NzaC1yc2EAAAADAQABAAQGDnJblk5N8ZCCGpXt+xTKr9tF1MNUrpzv5855W+zS0+00QKl8DvrrEEaxwLc0CovglxAKmQj/7YS1sq/bFNAlo4wQnPEJlxZDj5uyI9Vamb/RWNs0fCXUDN0+w8msHfziZnUy3t9wXmm3C/XvLSADcZjk/W19Isu
jEawzS8DUlHrTVIeEAgdAngTj4voRih+Tpw8ZcpcacWsTqR2PoaQYfITDD0Jr1f1F950yL/L3fsGA8YLK6FJTL0yYfg5K2H5DpqTY/KyFIpk++z6PTje09sIYeEdAZ7QvYcJy7XFFHHZ2F2DeWdTM73Lx9SvN2VqougJ1SGWuuJxvrxj/00Xi3o/5dmPkhoh4SLZxHbopX4yX5
HLBYoF/n++1M5Jbr/1V0JKBJm2uz9uMrDFR2wzTaAGaTz+87A26K77kbBglXUwCMIHSudEiUc1apD5bzIABXCst1SIA9xDoDrBtJqXMLEhcg3+6jXrIT6q3rLTX+YyTRFcgp0= Lab-user@provision'

imageContentSources:
- mirrors:
  - provision.wzg92.dynamic.opentlc.com:5000/ocp4/openshift4
  source: quay.io/openshift-release-dev/ocp-v4.0-art-dev
- mirrors:
  - provision.wzg92.dynamic.opentlc.com:5000/ocp4/openshift4
  source: registry.svc.ci.openshift.org/ocp/release

pullSecret: '{"auths":{"cloud.openshift.com":{"auth":"b3BlbnNoaWZ0LXJlbGVhc2UtZGV2K3JocGRzYWRTaW5zcmVkaGF0Y29tMWZyZ3NpZHV6cTJkem5zaJNpdzBhdG1samg30jJMSTFEVTh1MFVcQks10DRCTFB0DBFTTU1V0R0RDNXRDI0ko2Q0I5VzNFSFIzS
0pSSFH0SFgyVllNMLFFMVQ=","email":"rhpd-admins@redhat.com"},"quay.io":{"auth":"b3BlbnNoaWZ0LXJlbGVhc2UtZGV2K3JocGRzYWRTaW5zcmVkaGF0Y29tMWZyZ3NpZHV6cTJkem5zaJNpdzBhdG1samg30jJMSTFEVTh1MFVcQks10DRCTFB0DBFTTU1V0R0
RDNXRDI0ko2Q0I5VzNFSFIzS0pSSFH0SFgyVllNMLFFMVQ=","email":"rhpd-admins@redhat.com"},"registry.connect.redhat.com":{"auth":"NTE1NDg0DB8dwhJLTFGckdzSURVWLEyRHpuU0ozaVcwQXRtTEpoNzplEupoYkdjaU9pS1NveLV4TWLk0SSleU
6ZFdJaU9pSXpPR1prTVdJNFpqYzJ0amcWmpKbVlXTTtRavFpsWRnd09EUTJ0MkkzTnLK0S5YUmQ5LS1LQ3kzVlpVbF9ldTc0ThpQMFz0VYwRUVfEWRZ0E5pVGRScUlyd2hVRHYtcFF2ZEtlV1ZpVmLa0WF0QkhEUVdmVDB1Z2pFTWIZYmNPuKtqSXdBNldQTXyXwTc1RmhYQUG1S2
Myc3LnSHVxWTRfZLhS0XJnbW42N0L0Mmh1UXJyb3BBNXLaYXpXSzhPeTBJb29VWFAtEDBPUJZ2VDJTVGktbm5sblBLbEF5WTBEZkxJYmK30HZLZXFadUyUDL4S2LXdRaoEZOEpz0nLUC2VmeFRoVmTlMDVWVdLhTkn9TKxITGJMeU5sdEc1RE9xU1J1Z1hLMDJ6RXNaU3BwYmZLD
VAwNVJYQWlj0y14WEZ1amtLaFpkYTwV3LnZDJkCTXWVF3Ww83ZXgtLUh1MEpKeXBTczRINVY0Nm50dTNVRlNVUERBZEJ5VmVDU2RxcckpzUWZoSm1pLVdJbXJwmp6LUNwTLRfNV0e1lWUkc0aV9hVF9TWnVqKzVYsmFLdFpHS1RQWlG0SD1NLWxDeFLHZDJNYzhuWlc4NMVUeTJP
YnBVOHA2S19sU3A3Wm15RzhEbWh6bFATYTOz0J1V3hJTHg3Y283U3Bk0FRyYVNRbjVnaFpvc0VKZGp6X2lJTLFhVktNazFHQjEwBU1u0XJBeGdUcm5qU09aSEZvcXdmX2Y2dnZFWi0ySU2Qk91UURZQThsZDlzRDVDb1ZWNEdwTWx1Rl8zZGJqcXhuVTE0WXdHT2RhsLdS0EtMTLF
wbU9RV0jrwFJlCvPwN01UT0ZD0dMVRWeGNTMXhva0p6RUFxN1c4NzB5Qv04VnAtUGdsCEJCC2RDT2tfdGNCNEYST2hkZ0NPb3JMNHJkZmp6cEJ0bUzUMehzVvKFFNGJkWhfrJNGS0=","email":"rhpd-admins@redhat.com"},"registry.redhat.io":{"auth":"NTE
1NDg0DB8dwhJLTFGckdzSURVWLEyRHpuU0ozaVcwQXRtTEpoNzplEupoYkdjaU9pS1NveLV4TWLk0SSleU6ZFdJaU9pSXpPR1prTVdJNFpqYzJ0amcWmpKbVlXTTtRavFpsWRnd09EUTJ0MkkzTnLK0S5YUmQ5LS1LQ3kzVlpVbF9ldTc0ThpQMFz0VYwRUVfEWRZ0E5pVGRScU
lyd2hVRHYtcFF2ZEtlV1ZpVmLa0WF0QkhEUVdmVDB1Z2pFTWIZYmNPuKtqSXdBNldQTXyXwTc1RmhYQUG1S2Myc3LnSHVxWTRfZLhS0XJnbW42N0L0Mmh1UXJyb3BBNXLaYXpXSzhPeTBJb29VWFAtEDBPUJZ2VDJTVGktbm5sblBLbEF5WTBEZkxJYmK30HZLZXFadUyUDL4S2LXd
nRaoEZOEpz0nLUC2VmeFRoVmTlMDVWVdLhTkn9TKxITGJMeU5sdEc1RE9xU1J1Z1hLMDJ6RXNaU3BwYmZLDVAwNVJYQWlj0y14WEZ1amtLaFpkYTwV3LnZDJkCTXWVF3Ww83ZXgtLUh1MEpKeXBTczRINVY0Nm50dTNVRlNVUERBZEJ5VmVDU2RxcckpzUWZoSm1pLVdJbXJwmp6
LUNwTLRfNV0e1lWUkc0aV9hVF9TWnVqKzVYsmFLdFpHS1RQWlG0SD1NLWxDeFLHZDJNYzhuWlc4NMVUeTJPYnBVOHA2S19sU3A3Wm15RzhEbWh6bFATYTOz0J1V3hJTHg3Y283U3Bk0FRyYVNRbjVnaFpvc0VKZGp6X2lJTLFhVktNazFHQjEwBU1u0XJBeGdUcm5qU09aSEZvcXdm
mX2Y2dnZFWi0ySU2Qk91UURZQThsZDlzRDVDb1ZWNEdwTWx1Rl8zZGJqcXhuVTE0WXdHT2RhsLdS0EtMTLFwbU9RV0jrwFJlCvPwN01UT0ZD0dMVRWeGNTMXhva0p6RUFxN1c4NzB5Qv04VnAtUGdsCEJCC2RDT2tfdGNCNEYST2hkZ0NPb3JMNHJkZmp6cEJ0bUzUMehzVvKFFNG
JkWhfrJNGS0=","email":"rhpd-admins@redhat.com"},"provision.wzg92.dynamic.opentlc.com:5000":{"email":"dummy@redhat.com","auth":"ZHVtbXk6ZHVtbXk="}}}'

additionalTrustBundle: |
----BEGIN CERTIFICATE----
MIIGPTCCBCWgAwIBAgIUb1Ze5hdJV8gL7MTqH056vJNTKUwDQYJKoZIhvcNAQEL
--More-- (72%)
```


Questions?

Questions?

Thank you

Red Hat is the world's leading provider of enterprise open source software solutions. Award-winning support, training, and consulting services make Red Hat a trusted adviser to the Fortune 500.

 [linkedin.com/company/red-hat](https://www.linkedin.com/company/red-hat)

 [youtube.com/user/RedHatVideos](https://www.youtube.com/user/RedHatVideos)

 [facebook.com/redhatinc](https://www.facebook.com/redhatinc)

 twitter.com/RedHat